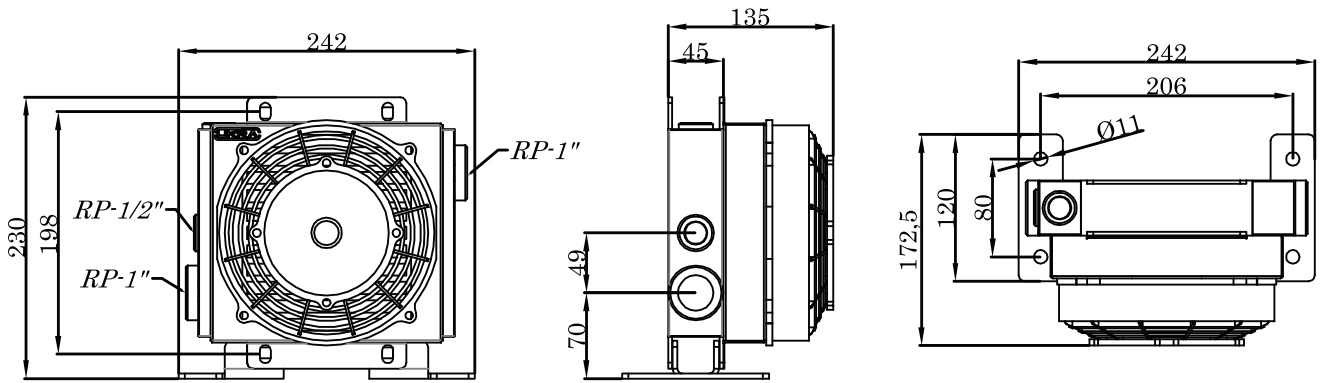
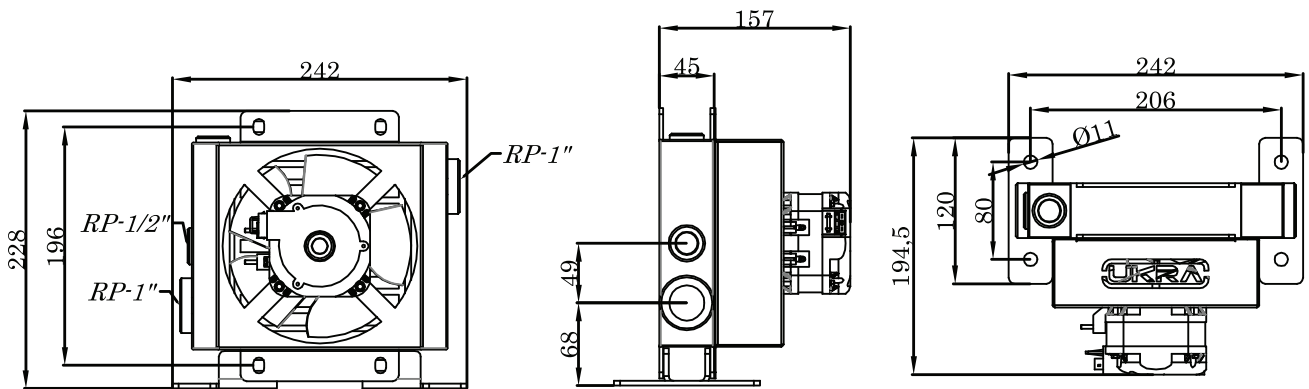


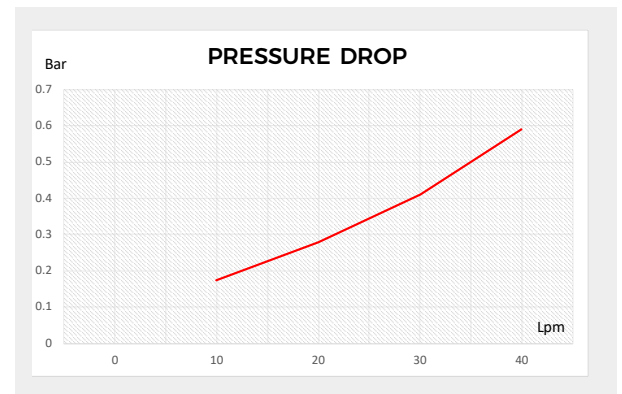
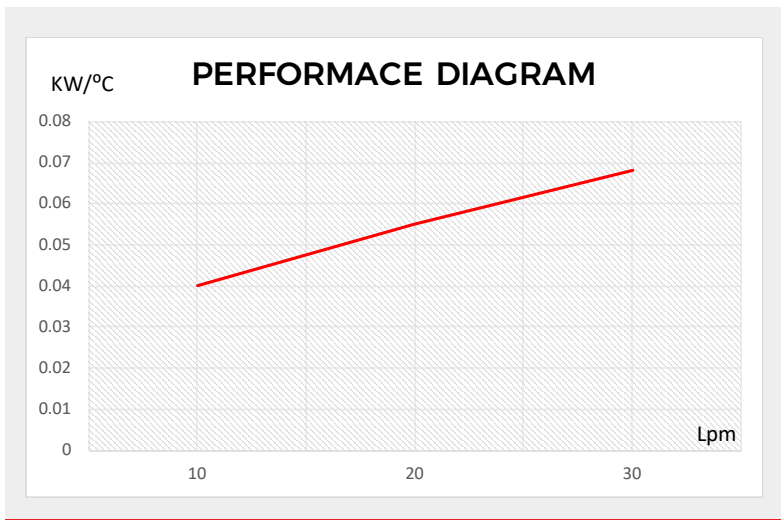
**UMB-A12-12/24**



**UMB-A12-01**

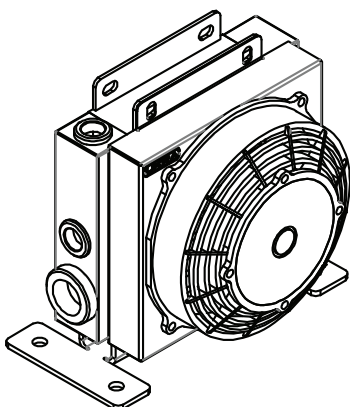


PRODUCT	OIL FLOW MIN-MAX	MAX COOLING CAPACITY	VOLTAGE	POWER	AIR	Ø FAN	FAN SPEED	ELECTRIC PROTECTION	CAPACITY	WEIGHT
	L/min	KW	V	W	m³/h	mm	RPM	IP	L	Kg
UMB - A12 - 12/24	10 - 40	3	12/24 DC	130	560	ø167	4,400	68	0.7	3.7
UMB - A12 - 01	10 - 40	3	230 AC	25	450	ø160	1,450	44	0.7	3.7



cSt	10	15	20	30	40	50	60	80	100	200	300
Pd	0.5	0.65	0.77	1	1.2	1.4	1.6	1.9	2.1	3.3	4.3

**UMB-A12-12/24**



**UMB-A12-01**

