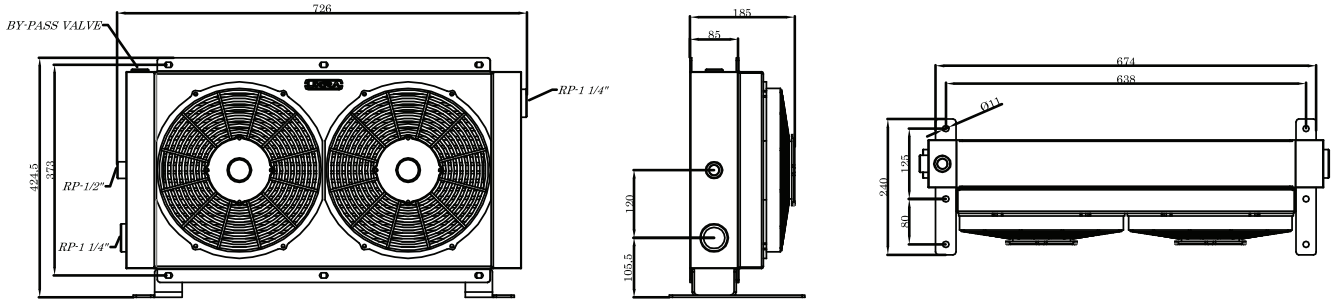
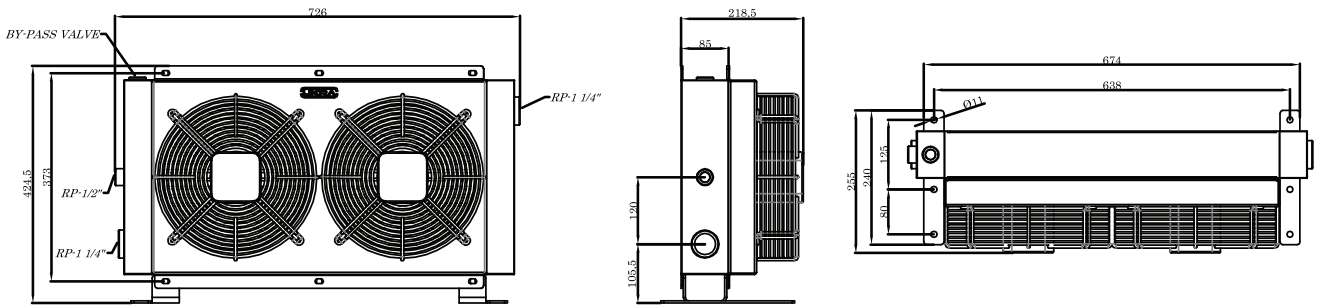


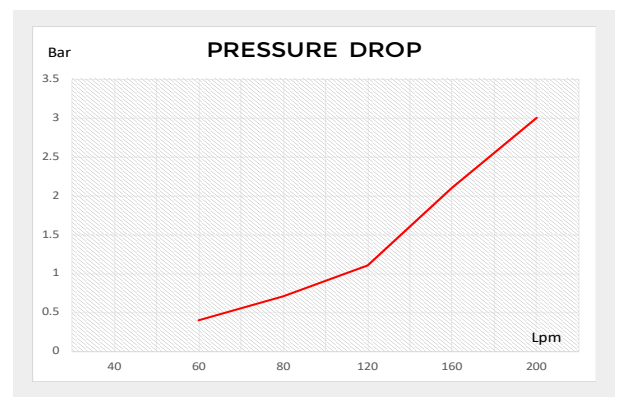
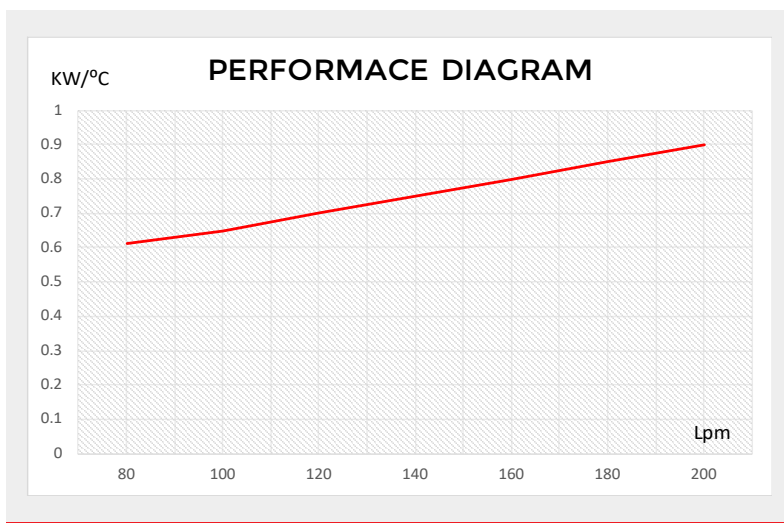
### UMB-A18-12/24



### UMB-A18-01/02

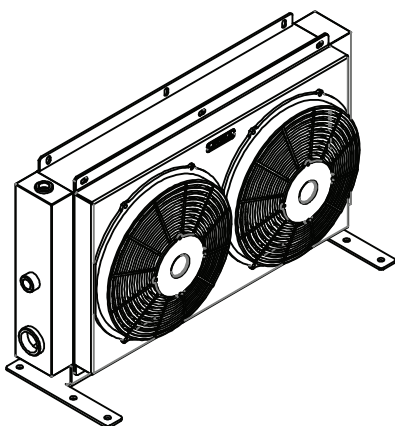


PRODUCT	OIL FLOW MIN-MAX	MAX COOLING CAPACITY	VOLTAGE	POWER	AIR	Ø FAN	FAN SPEED	ELECTRIC PROTECTION	CAPACITY	WEIGHT
	L/min	KW	V	W	m³/h	mm	RPM	IP	L	Kg
UMB - A18 - 12/24	120 - 200	35	12/24 DC	260	2,800	ø280 x 2	2,680	68	7.5	23
UMB - A18 - 01/02	120 - 200	35	230/400 AC	100	2,000	ø250x2	1,380	54	7.5	25



<b>cSt</b>	10	15	20	30	40	50	60	80	100	200	300
<b>Pd</b>	0.5	0.65	0.77	1	1.2	1.4	1.6	1.9	2.1	3.3	4.3

**UMB-A18-12/24**



**UMB-A18-01/02**

