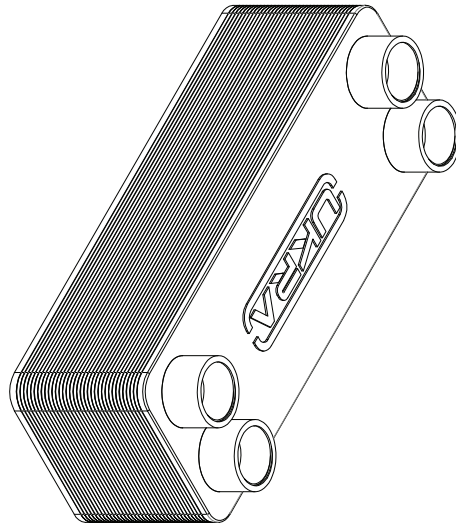
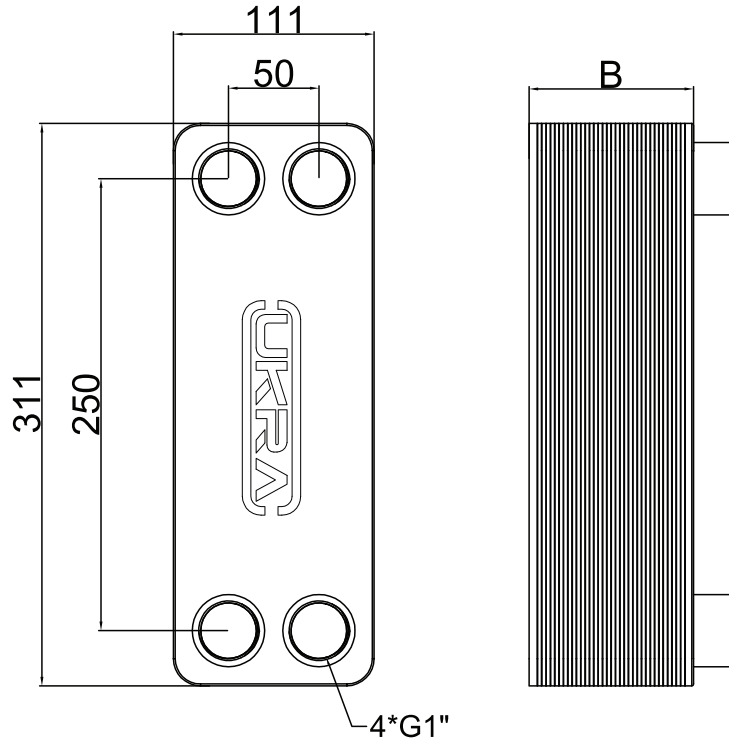


UPP-02



PRODUCT	OIL FLOW	MAX COOLING CAPACITY	NUMBER OF PLATE	PRESSURE	SIZES	B	CONNECTORS	CAPACITY	WEIGHT
	L/min	KW	QTY	Bar	mm	mm	-	L	Kg
UPP02-24A	130	35	24	30	311X111X67	67	G 1"	1,2	4,5
UPP02-34A	180	40	34	30	311X111X91	91	G 1"	1,75	5,75
UPP02-40A	220	48	40	30	311X111X105	105	G 1"	2	6,5
UPP02-50A	250	70	50	30	311X111X129	129	G 1"	2,5	7,75