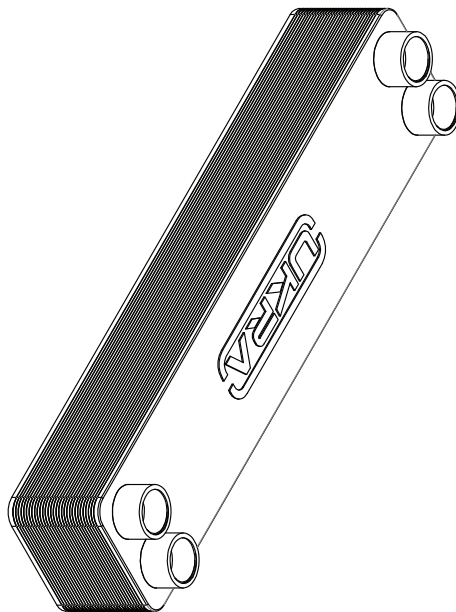
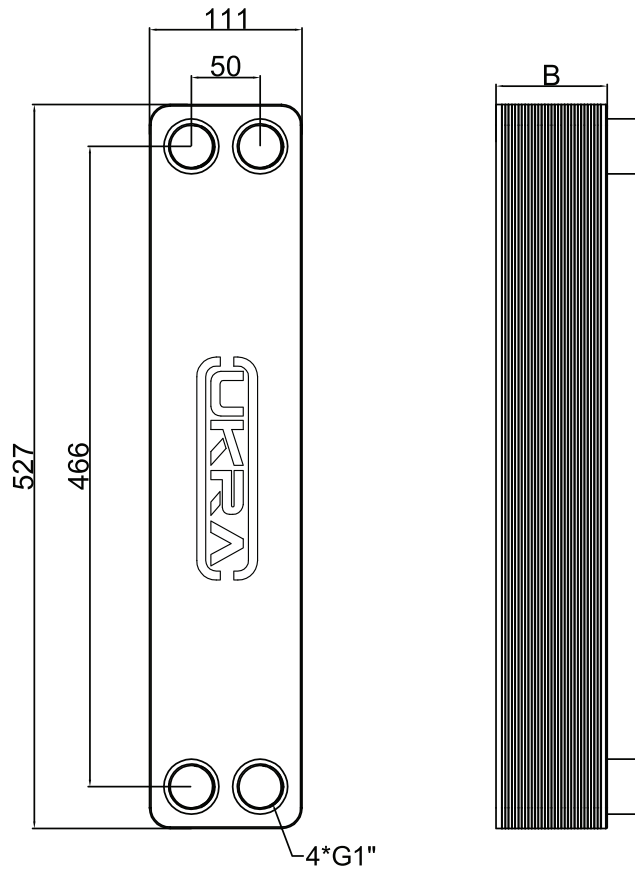


**UPP-03**



PRODUCT	OIL FLOW	MAX COOLING CAPACITY	NUMBER OF PLATE	PRESSURE	SIZES	B	CONNECTORS	CAPACITY	WEIGHT
	L/min	KW	QTY	Bar	mm	mm	-	L	Kg
UPP03-30A	280	90	30	30	527X111X81	81	G 1"	3	9
UPP03-60A	300	120	60	30	527X111X153	153	G 1"	5,75	16