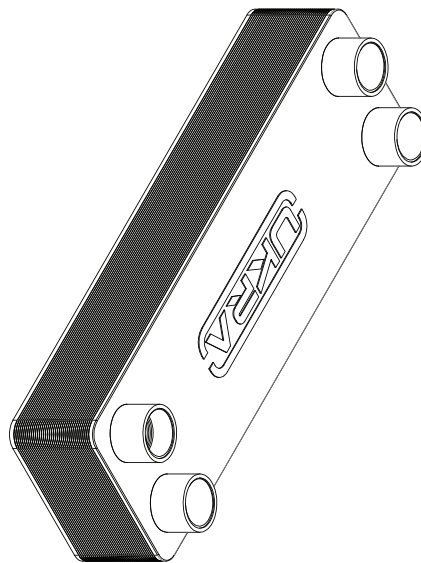
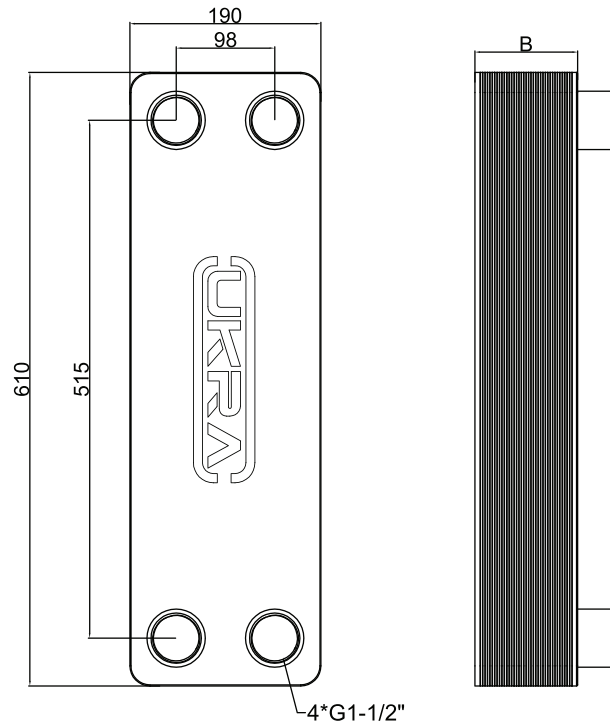


UPP-04



PRODUCT	OIL FLOW	MAX COOLING CAPACITY	NUMBER OF PLATE	PRESSURE	SIZES	B	CONNECTORS	CAPACITY	WEIGHT
	L/min	KW	QTY	Bar	mm	mm	-	L	Kg
UPP04-16A	320	85	16	30	671X190X50	50	G 1-1/2"	3,5	12
UPP04-24A	500	110	24	30	671X190X69	69	G 1-1/2"	5	15,5
UPP04-30A	600	150	30	30	671X190X83	83	G 1-1/2"	6,5	18
UPP04-38A	700	200	38	30	671X190X102	102	G 1-1/2"	8	21,5
UPP04-46A	800	250	46	30	671X190X121	121	G 1-1/2"	9,75	25