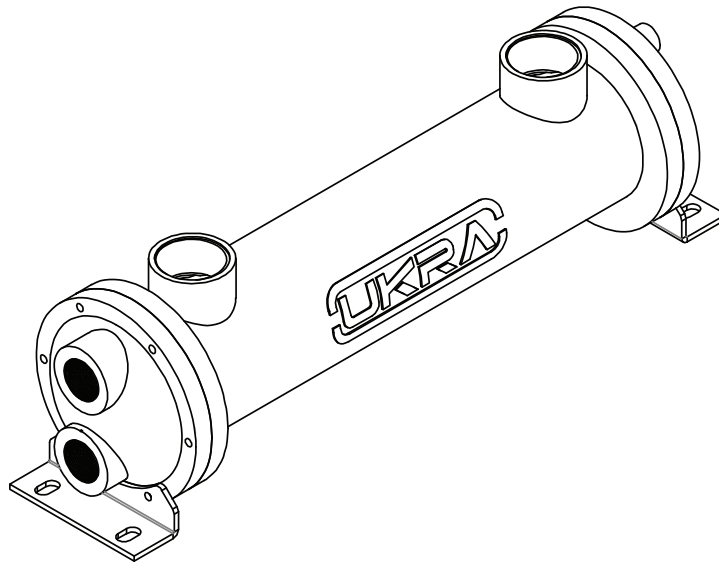
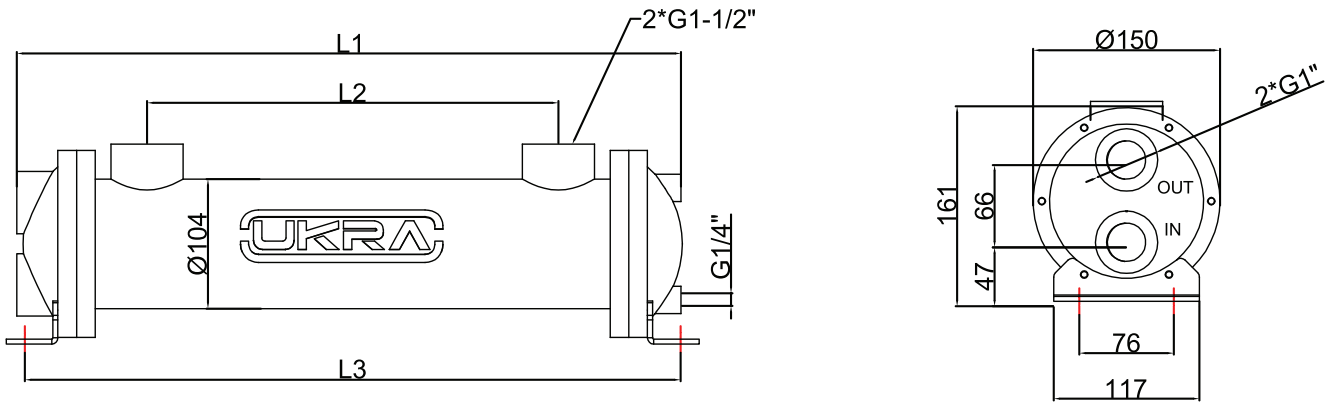


USS-01/05



PRODUCT	OIL FLOW	MAX COOLING CAPACITY	PRESSURE OIL	PRESSURE WATER	COOLING SURFACE	L1	L2	L3
	L/min	KW	Bar	Bar	m ²	mm	mm	mm
USS01-T	80	12	16	10	1,3 m ²	275	76	272
USS02-T	80	16	16	10	2,1 m ²	376	177	373
USS03-T	80	22	16	10	2,5 m ²	427	228	424
USS04-T	80	26	16	10	3,1 m ²	529	330	526
USS05-T	80	30	16	10	4,3 m ²	681	482	678